

# VIVA

## Smart Bench



by **EUROCOMITALIA.IT**  
Smart Division

Internet and IoT ready



## INTRODUCTION

The new VIVA bench was created to modernize today's cities with innovative technologies in the context of control and use of specific functionalities aimed at satisfying the modern needs of citizens.

Thanks to its innumerable technological functions it becomes not only a resting place but also a meeting point, where it is possible to conceive a new way of living the city.

We can recharge our smart devices thanks to the side USB sockets, connect to wifi, get real-time information on traffic, smog, weather conditions, etc. ... communicating has never been so easy !

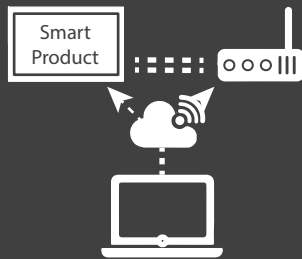


# VIVA

## Smart Bench

A single software, endless application scenarios.

Through cloud connection, the VIVA software manages the network of workstations remotely on any device at any time.



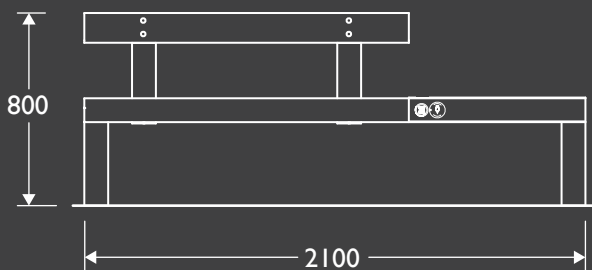
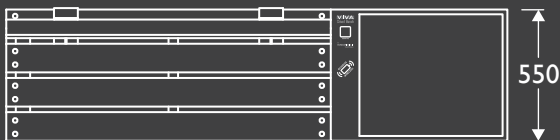
Environmental information control



Easily and efficiently manage all your smart workstations in real time, even in multi-user mode.



Check your workstations network and verify monitoring information sent.



## FORMS AND CONTENTS INNOVATIVE FEATURES

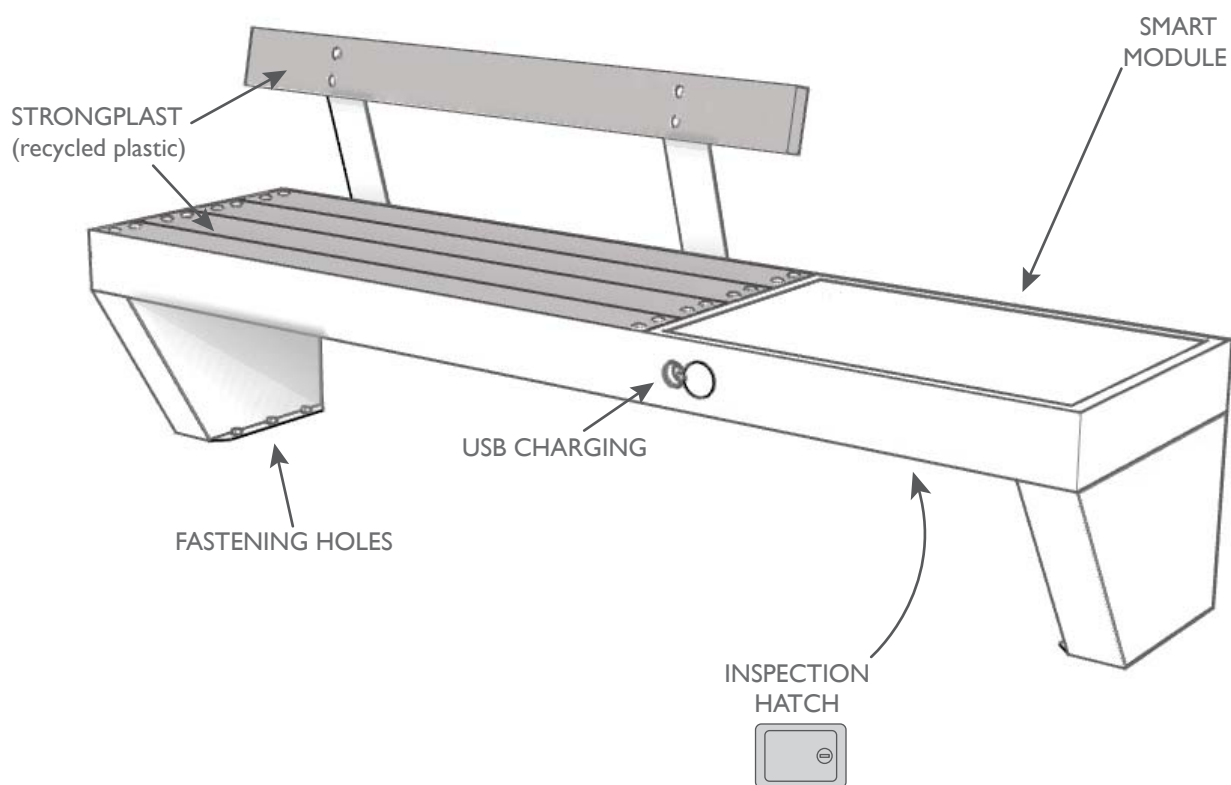
The magic happens thanks to the modules, the heart of the VIVA system ; they allow you to show the contents where you want it.

- Total Control : Access via WIFI interface for displaying real time data and control.
- Audio Feed RSS : Audio content transmitted through the system (optional).
- InfoSensor : Information from sensors such as temperature, humidity.  
Motion and air quality (optional).
- Alarm : Realtime alarms in the presence of vandalism and or tampering.
- Geoloc : Geolocation of the product (optional).
- VivaPortal : Customized user information portal connected via WIFI (portal version).
- VivaConnect : Internet access via secure data recording with captive portal system (portal version).
- Web Services/Api : Allows dynamic interfacing with SOAP or REST services (optional).

## TECHNICAL FEATURES

- Backup supply Voltage : 230V AC.
- Photovoltaic modules : Monocrystalline 60W power.
- Battery pack : Type AGM / Capacity: 0.36 kWh.  
0.72 kWh for portal version.
- USB charging : 2 ports Power 5W (1A) and 2,2W.
- Wireless charging : Power 10W / Efficiency up to 80%.
- Internet technology : 4G LTE / Speed up to 150Mbps.
- Cooling system : Air cooling / Number of fans : 2.  
Air flow : 170 m<sup>3</sup>/h , temperature trigger : 38°C.
- Led light : backlight panel and led dimmable light.
- Ambient light Color : white, red , blue (optional only on portal version).

## TECHNICAL FEATURES HOW IT'S MADE



VIVA urban street bench, built as follows:

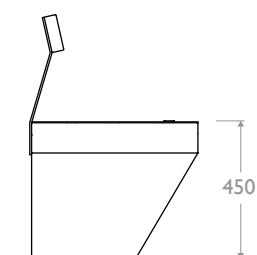
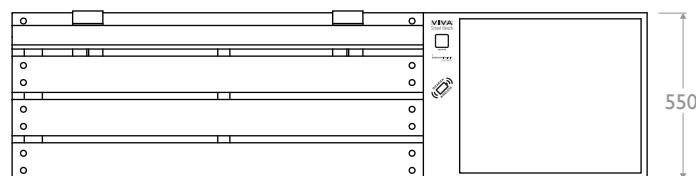
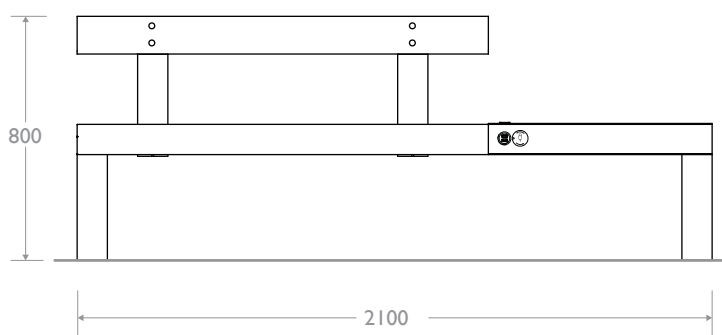
- N° 2 30/10 thick, trapezoidal printed metal side supports;
- The seat and the back rest are made from 120 x 40 mm, milled STRONGPLAST (recycled plastic) boards, internally reinforced with 15 x 15 mm steel bars. The boards are bolted to the seat and back rest supports;
- Equipped with USB sockets for charging devices up to 2A and wireless charger built into the structure;
- Backlight panel and led dimmable light ;
- Charging module with photovoltaic panel and batteries are directly incorporated into the bench structure.

Surface Protection :

see details on the protection of materials.

Installation:

The trapezoidal legs of the bench are prepared for M10 steel bolt anchoring.



Scala 1:25